

ARCHITECT

AUTHORIZED SIGNATURE

INTERIOR DESIGNERS :

ELECTRICAL ENGINEER

MECHANICAL ENGINEER

SANITARY ENGINEER

GENERAL NOTE

PROJECT NAME

นิทรรศการเครื่องรางและของขลัง

DRAWING TITLE

ISSUE / REVISION

NO. DESCRIPTION BY DATE

CHECKED BY

DRAWING NO.

ARCHITECT

SIGNED

PM PW

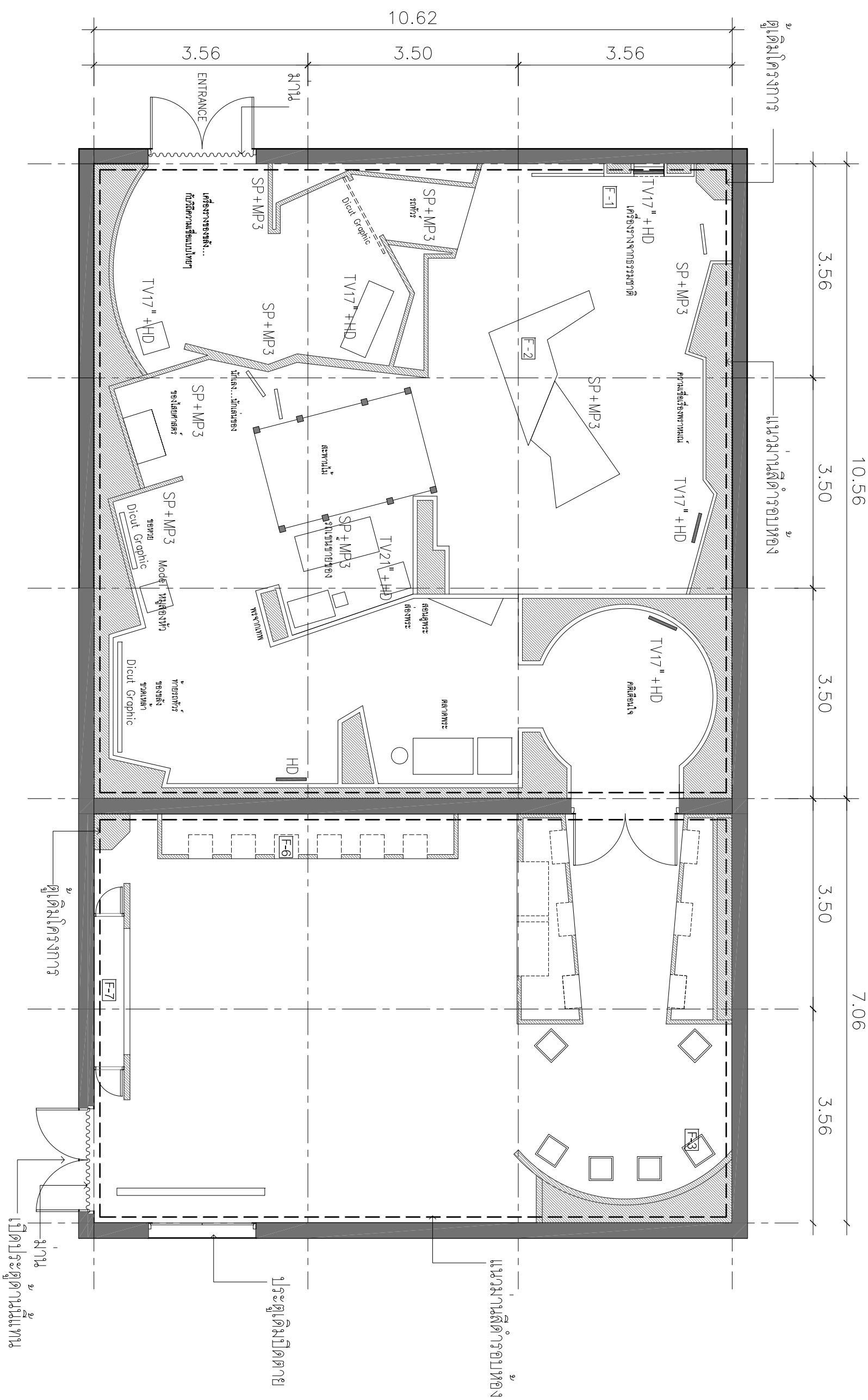
IA

ED KP

SCALE

DRAMA BY

REF.

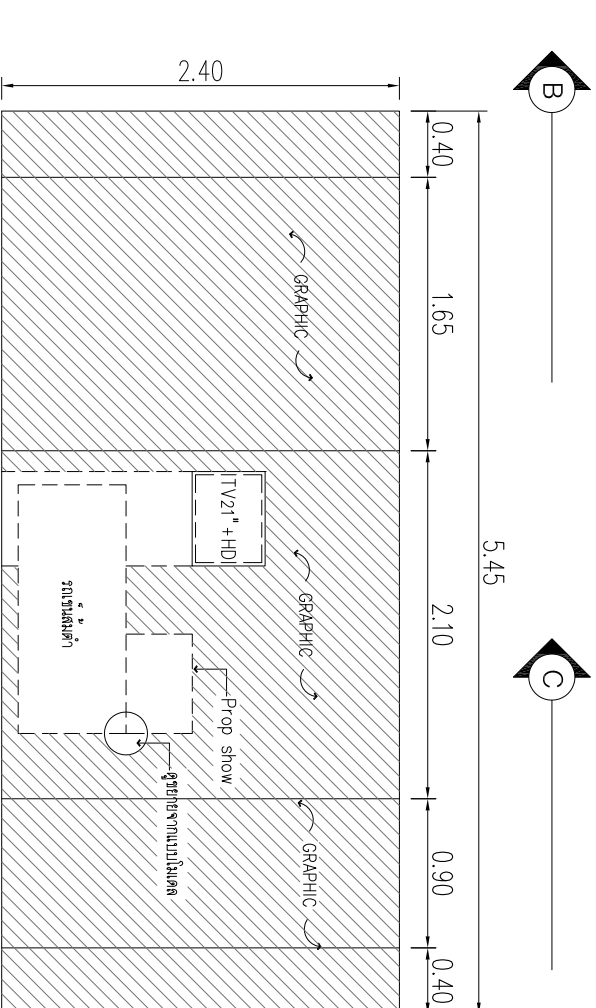
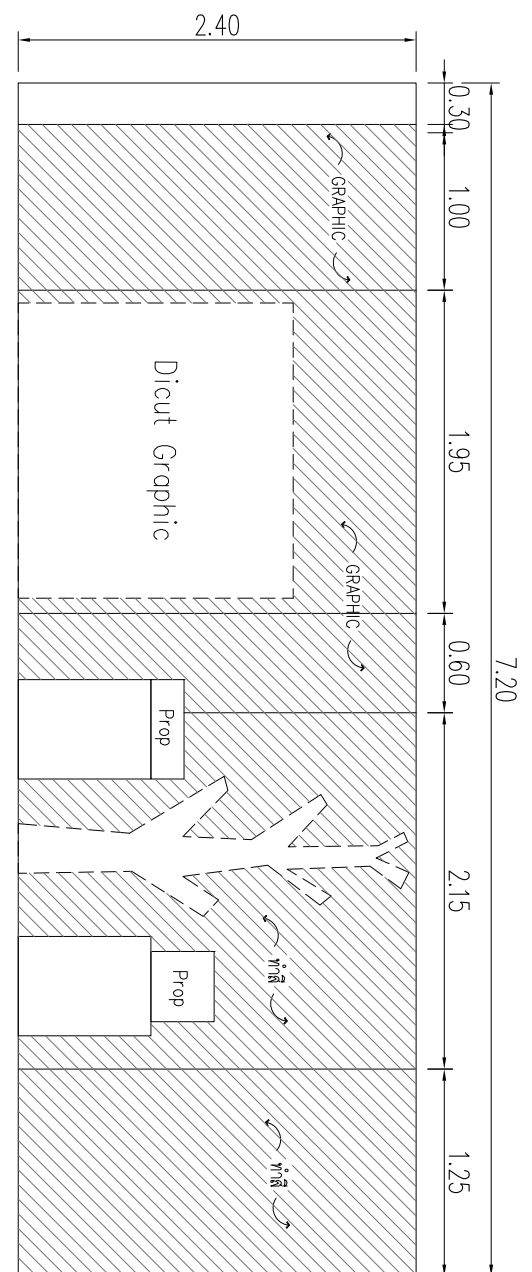
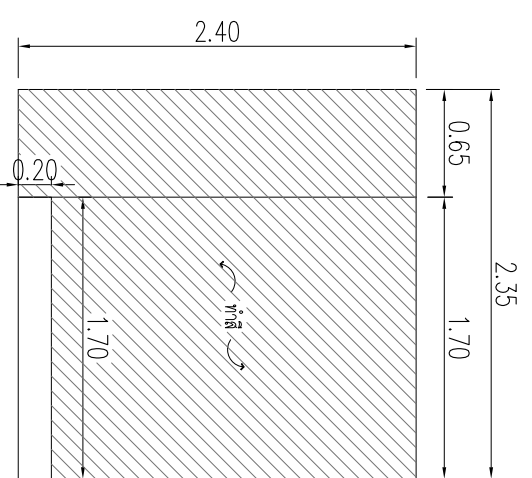
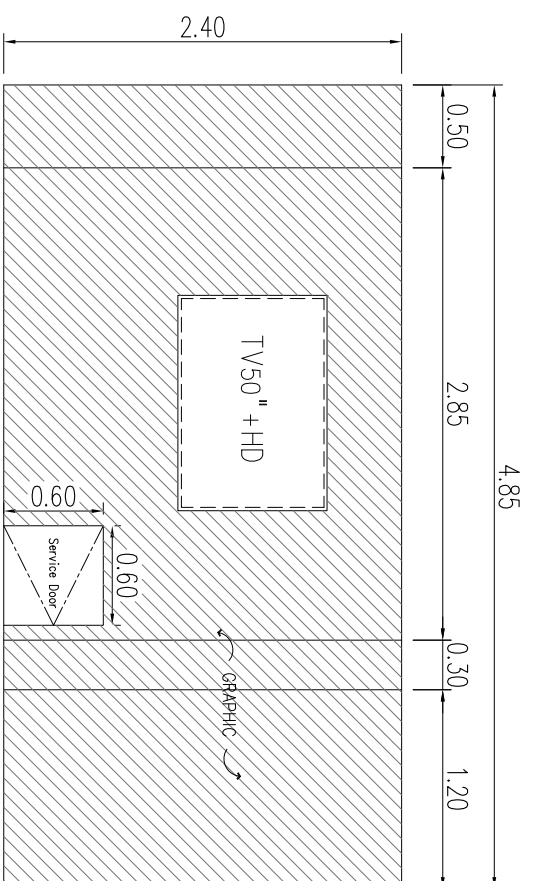
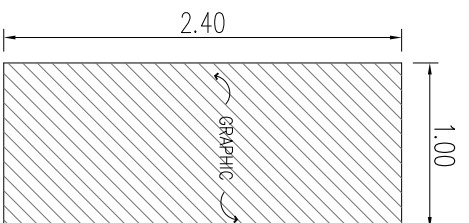
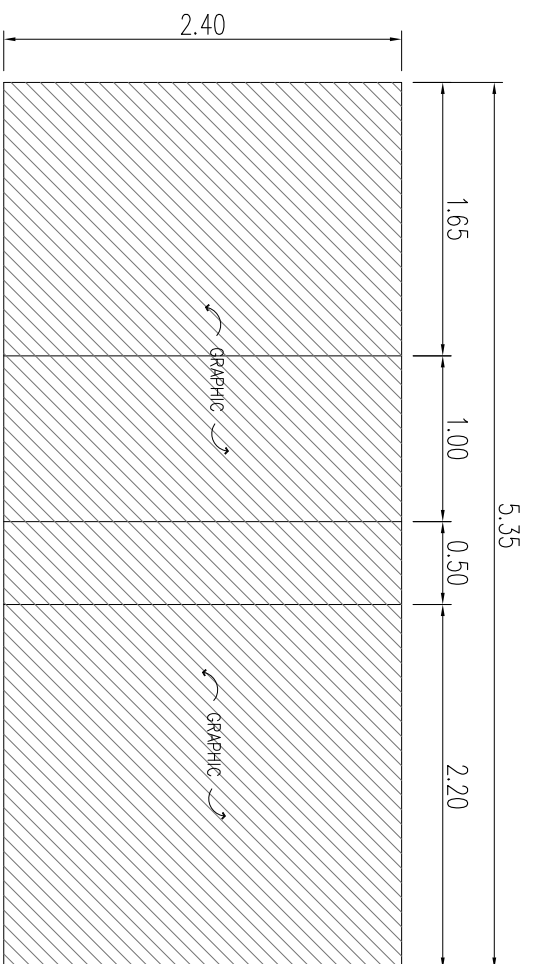


EXHIBITION FURNITURE PLAN

SCALE 1:875

โครงการจัดซื้อและปรับปรุงนิทรรศการ

OWNER
สถาบันพิพิธภัณฑ์การเรียนรู้แห่งชาติ
(National Discovery Museum Institute)
PICO
19 Soi Lumphu 59, Sukhumvit 115 Road
Bangkok, Bangkok 10260, Thailand
Tel : (66-2) 448-7027 Fax : (66-2) 448-7389 248-7390
Pico Thailand | Pico Company Limited | Pico Eng.



ARCHITECT _____ AUTHORIZED SIGNATURE _____

INTERIOR DESIGNERS :

ELECTRICAL ENGINEER _____

MECHANICAL ENGINEER _____

SANITARY ENGINEER _____

GENERAL NOTE

PROJECT NAME _____ PROJECT-NUMBER _____

นิทรรศการเครื่องรางและของขลัง

DRAWING TITLE

| ISSUE / REVISION NO. | DESCRIPTION | BY | DATE |
|----------------------|-------------|----|------|
| | | | |
| | | | |

CHECKED BY _____ DRAWING NO. _____

ARCHITECT _____ SIGNED _____

PM _____ PW _____

ED _____ KP _____

EA _____ _____

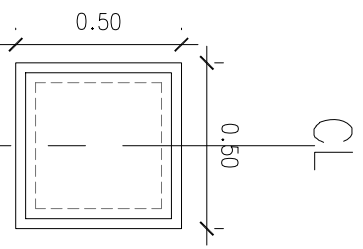
JC _____ MW _____

DRAWN BY _____ SCALE _____

IA

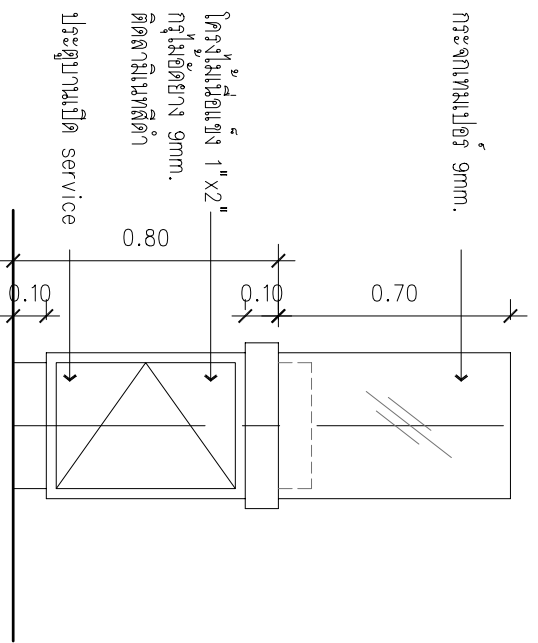
คูโง้ว (F-3)

ผนังโง้ว (F-1)



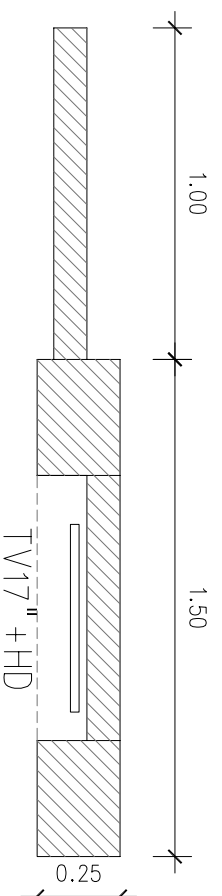
PLAN

SCALE 1:25



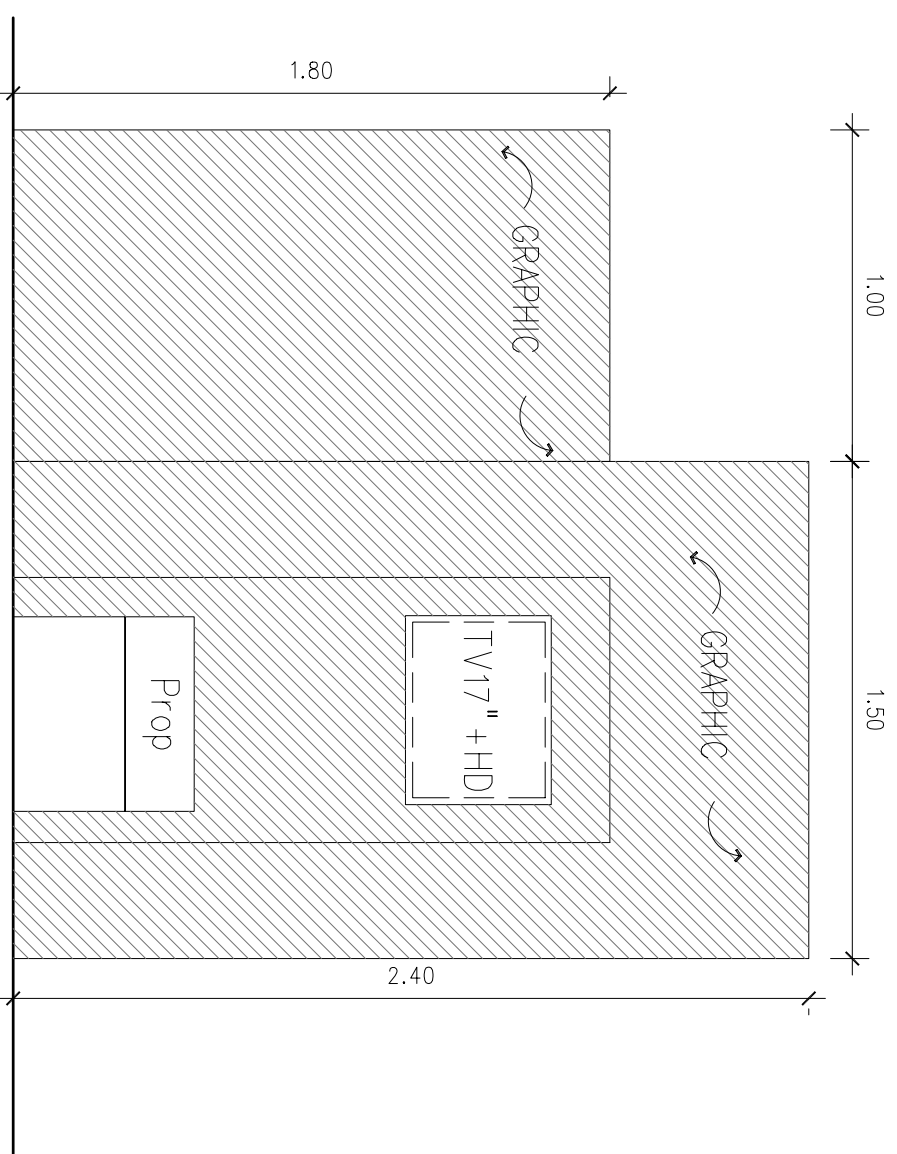
FRONT ELEVATION

SCALE 1:25



PLAN

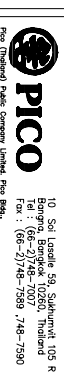
SCALE 1:25



FRONT ELEVATION

SCALE 1:25

OWNER
สถาบันเทคโนโลยีการสัตวศาสตร์
(National Discovery Museum Institute)



19-041 Lampho, So, Sakon Nakhon, 105 Road
Bangkok, Bangkok 10260, Thailand
Tel : (66-2) 448-7037
Fax : (66-2) 448-7389, 748-7390
Pico (Thailand) Public Company Limited. Pico Bang.

ARCHITECT _____ AUTHORIZED SIGNATURE

INTERIOR DESIGNERS :

ELECTRICAL ENGINEER _____

MECHANICAL ENGINEER _____

SANITARY ENGINEER _____

GENERAL NOTE

PROJECT NAME _____ PROJECT-NUMBER _____

วิศวกรรมการเครื่องรางและของขลัง

DRAWING TITLE

| ISSUE/REVISION NO. | DESCRIPTION | BY | DATE |
|--------------------|-------------|----|------|
| | | | |
| | | | |
| | | | |
| | | | |
| | | | |
| | | | |
| | | | |
| | | | |
| | | | |
| | | | |
| | | | |
| | | | |
| | | | |
| | | | |
| | | | |
| | | | |

| CHECKED BY | SIGNED | DRAWING NO. |
|------------|--------|-------------|
| PM | PW | IA |
| ED | KP | |
| PA | | |
| | | |
| | | |

| DRAWN BY | SCALE | REF. |
|----------|-------|------|
| | | |

ARCHITECT _____ AUTHORIZED SIGNATURE _____

INTERIOR DESIGNERS :

ELECTRICAL ENGINEER _____

MECHANICAL ENGINEER _____

SANITARY ENGINEER _____

GENERAL NOTE

PROJECT NAME _____ PROJECT-NUMBER _____

รายการเครื่องรางและของตั้ง

DRAWING TITLE

ISSUE / REVISION NO. DESCRIPTION BY DATE

CHECKED BY _____ DRAWING NO. _____

ARCHITECT _____ SIGNED _____

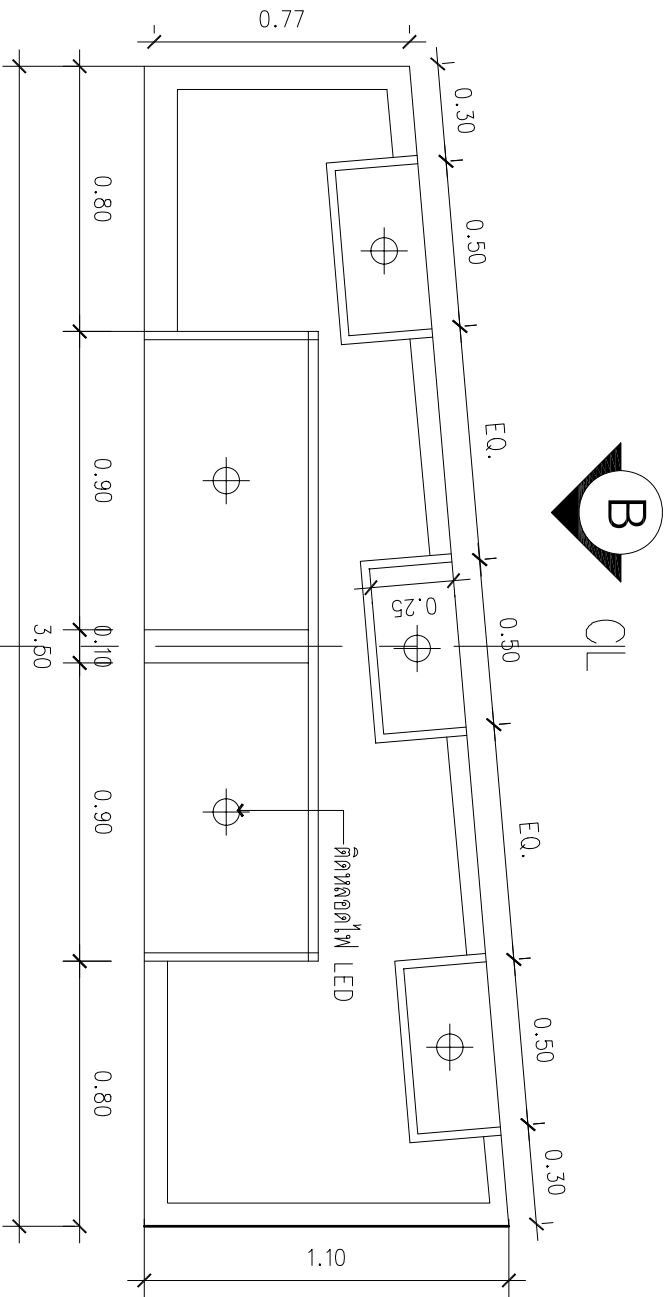
PM _____ PW _____

EA _____ KP _____

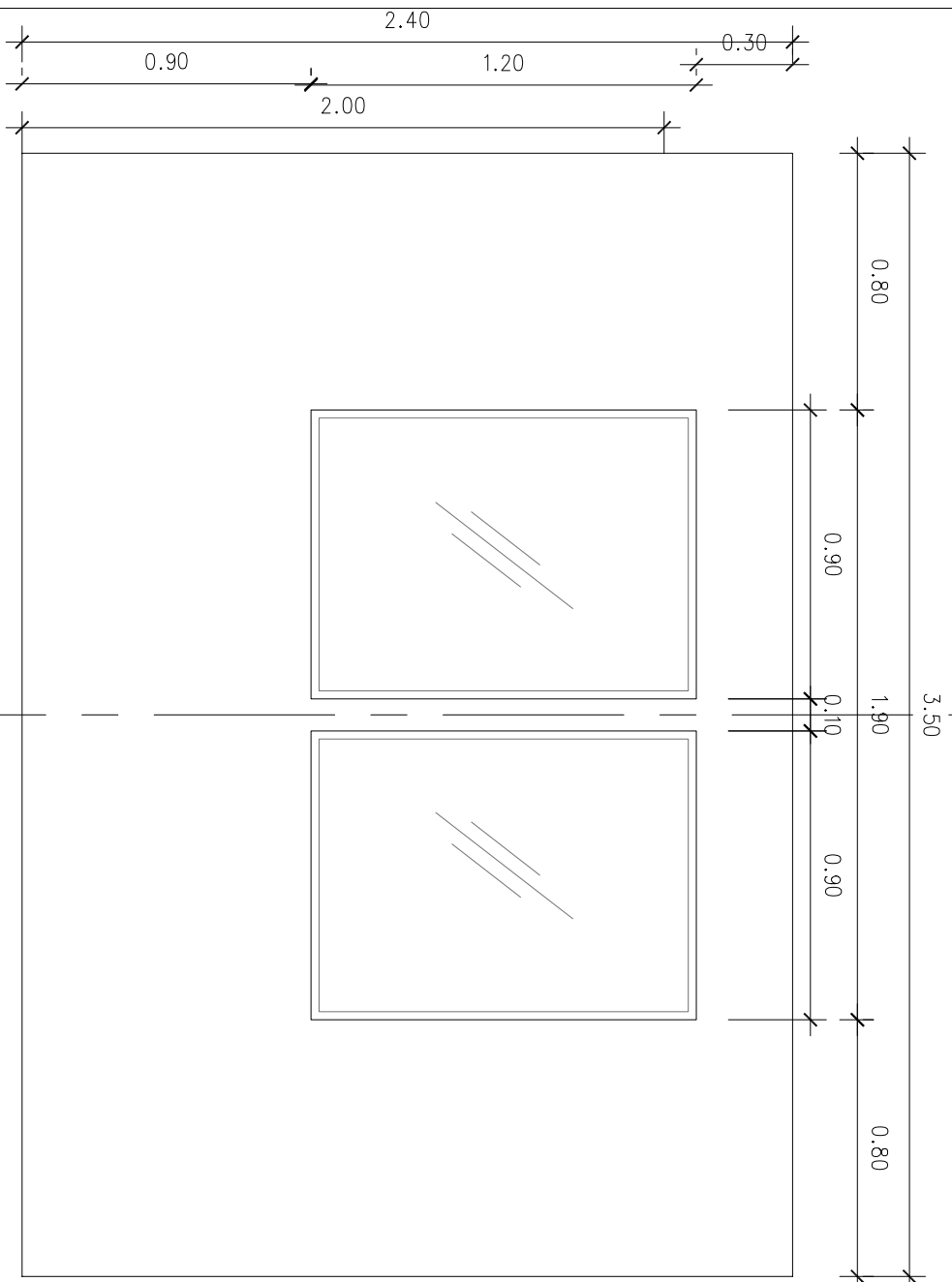
JC _____ MW _____

DRAWN BY _____ SCALE _____

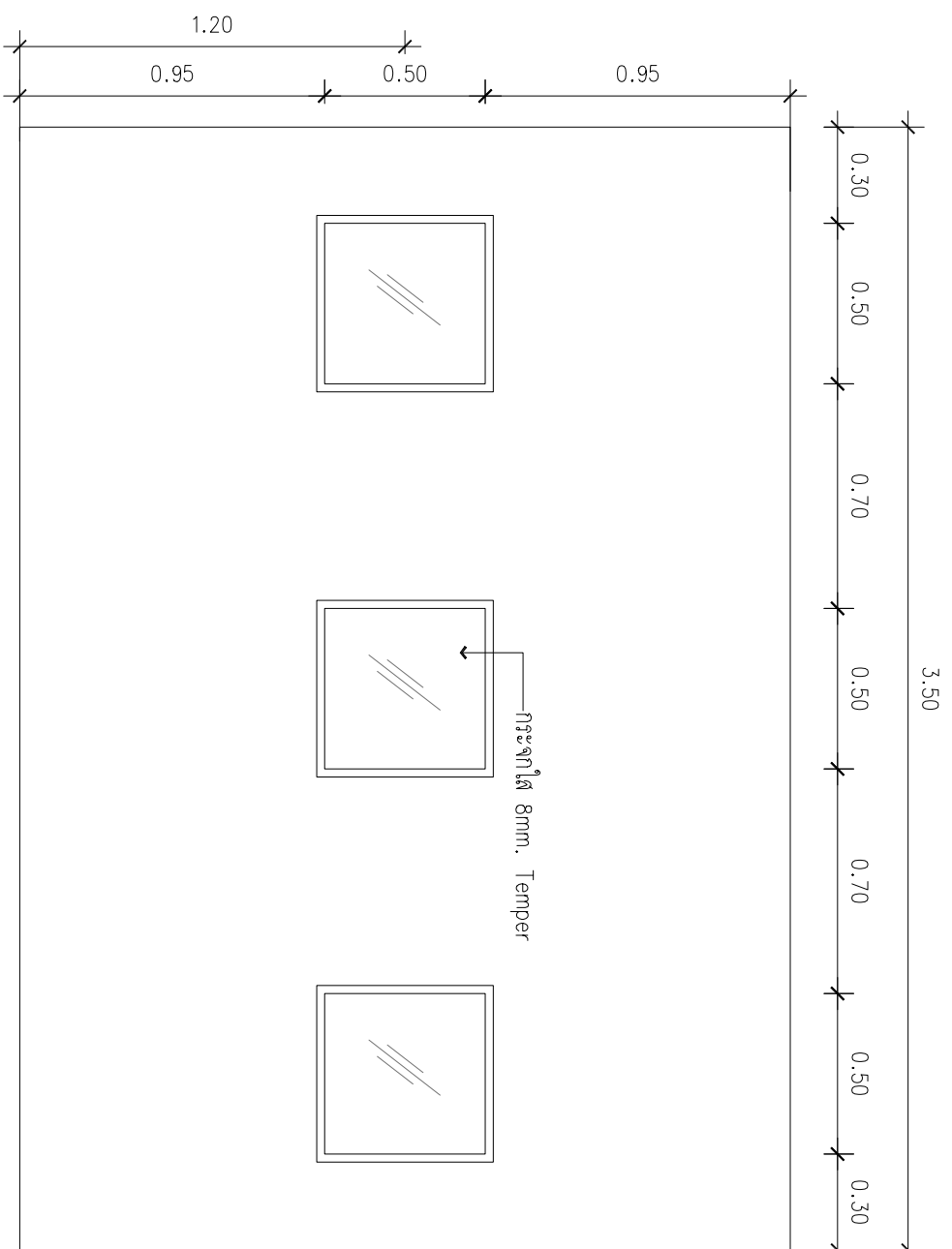
IA



PLAN
 SCALE 1:25

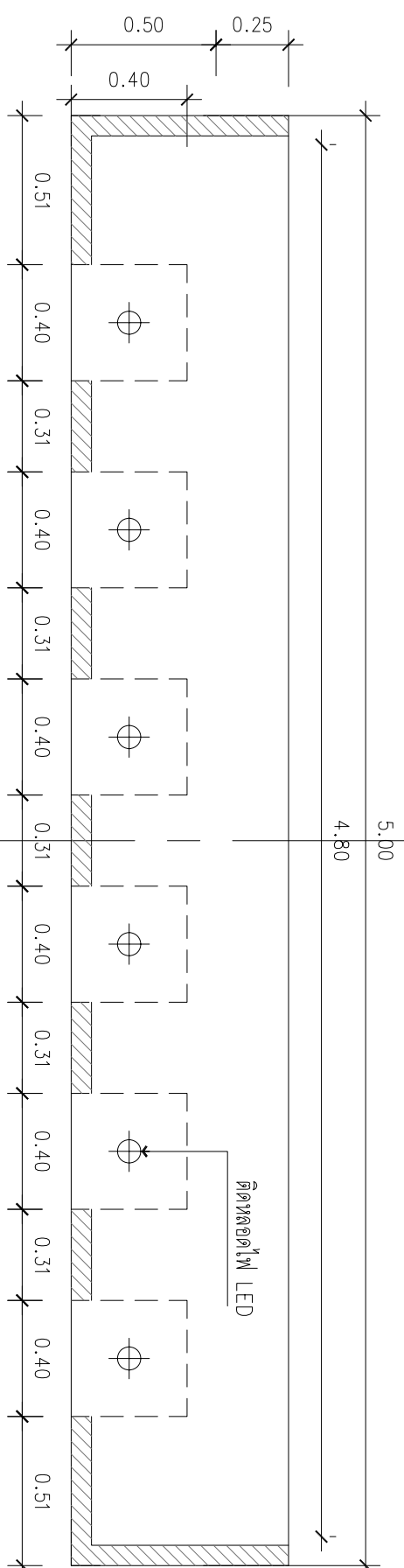


A
 ELEVATION
 SCALE 1:25

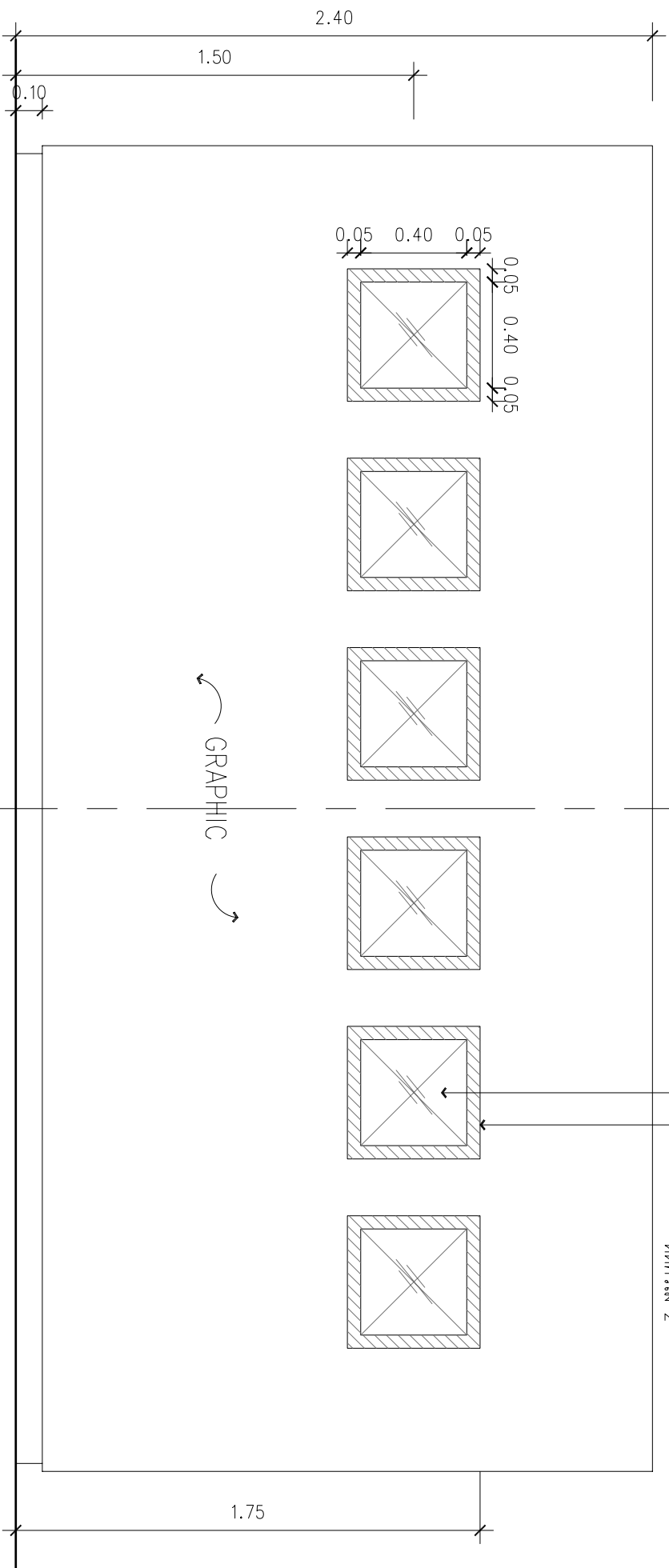


B
 ELEVATION
 SCALE 1:25

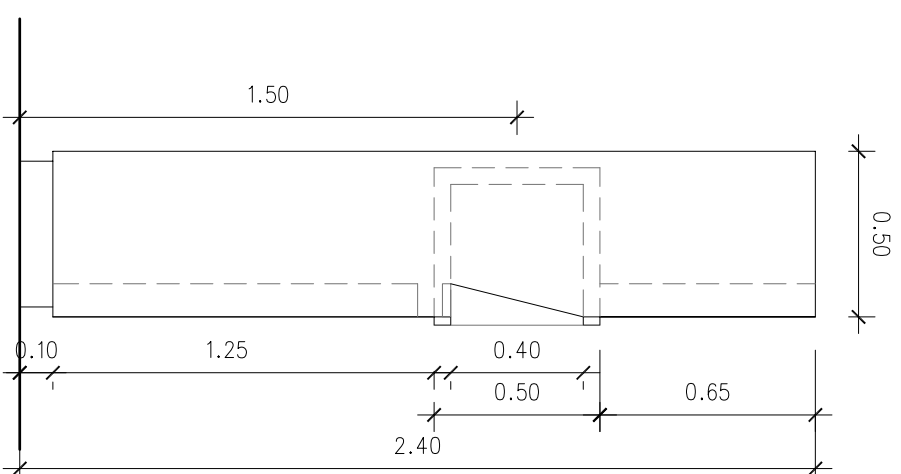
ศูนย์
สถาบันวิจัยวิทยาศาสตร์และเทคโนโลยีแห่งชาติ (F-6)



PLAN
SCALE 1:25



FRONT ELEVATION
SCALE 1:25



SIDE ELEVATION
SCALE 1:25

OWNER
สถาบันเทคโนโลยีการเกษตร
(National Discovery Museum Institute)

PICO
19, 5-1, Lumbini, 50, Sukhumvit, 105 Road
Bangkok, Bangkok 10260, Thailand
Tel : (66-2) 448-7027
Fax : (66-2) 448-7589 748-7590
Pico Thailand) (Pico Company Limited) (Pico Eng.)

ARCHITECT: AUTHORIZED SIGNATURE

INTERIOR DESIGNERS :

ELECTRICAL ENGINEER

MECHANICAL ENGINEER

SANITARY ENGINEER

GENERAL NOTE

PROJECT NAME: PROJECT-NUMBER

นิทรรศการเครื่องรางและของขลัง

DRAWING TITLE

ISSUE / REVISION NO. DESCRIPTION BY DATE

CHECKED BY: DRAWING NO. IA

ARCHITECT: SIGNED

PM: PW

ED: KP

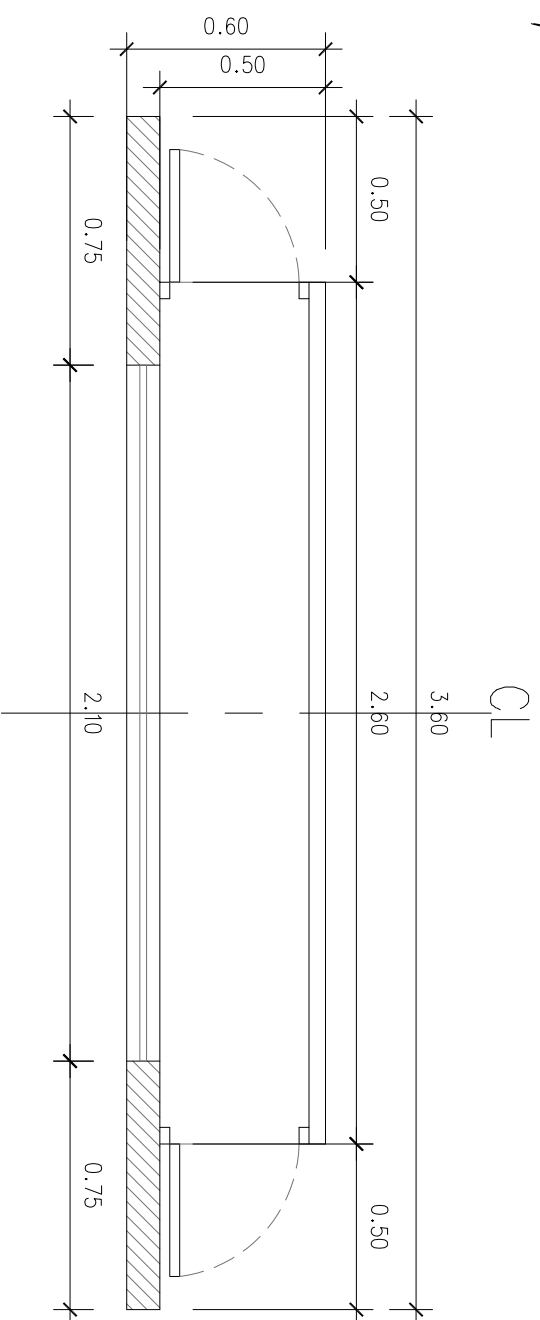
EA: --

JC: MW

DRAWN BY: SCALE

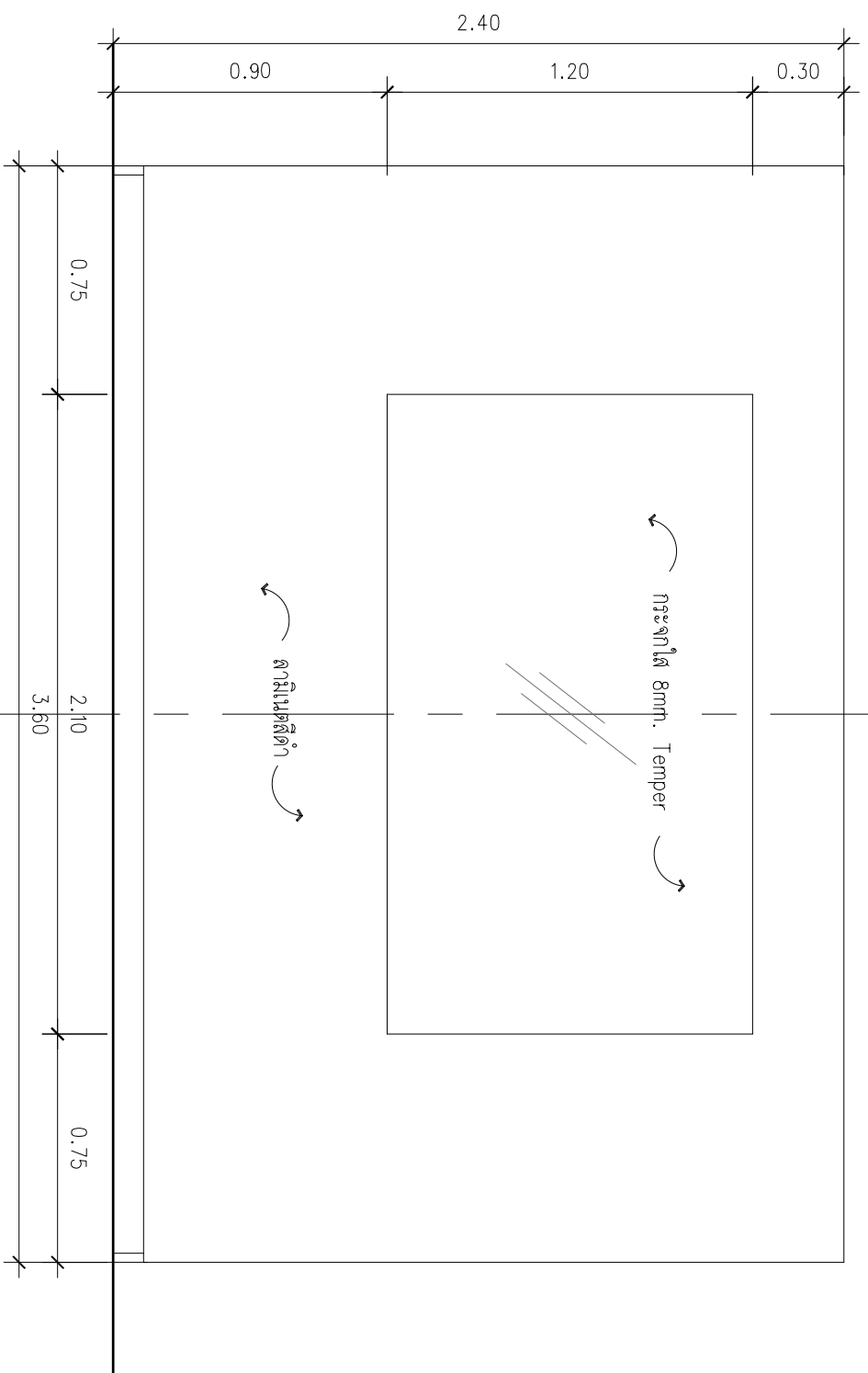
REF.

(F-7)



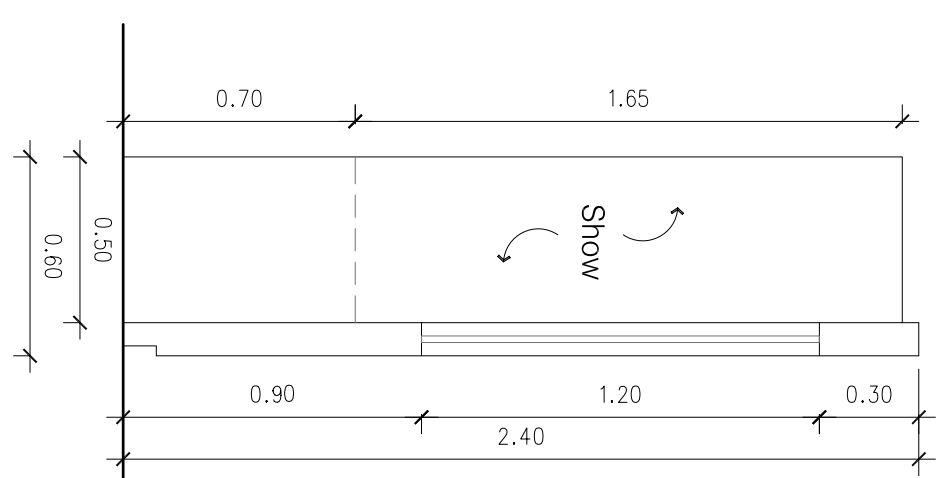
PLAN

SCALE 1:25



FRONT ELEVATION

SCALE 1:25



SIDE ELEVATION

SCALE 1:25

OWNER
สถาบันพิพิธภัณฑ์การเรียนรู้แห่งชาติ
(National Discovery Museum Institute)

PICO
 10-3/1 Lumbini 50, Sakon Nakhon 1/5 Road
 Bangkok, Bangkok 10260, Thailand
 Tel : (66-2) 446-7027
 Fax : (66-2) 446-7589 748-7590
 Pico (Thailand) Public Company Limited. Pico Eng.

ARCHITECT _____ AUTHORIZED SIGNATURE _____

INTERIOR DESIGNERS :

ELECTRICAL ENGINEER _____

MECHANICAL ENGINEER _____

SANITARY ENGINEER _____

GENERAL NOTE

PROJECT NAME _____ PROJECT-NUMBER _____

นิทรรศการเครื่องรางและของขลัง

DRAWING TITLE

ISSUE/REVISION NO. _____ DESCRIPTION _____ BY _____ DATE _____

CHECKED BY _____ DRAWING NO. _____

| ARCHITECT | SIGNED |
|-----------|--------|
| PM | PW |
| ED | KP |
| PA | --- |
| JC | MJ |

SCALE REF. **IA**

